

Oven Milano single Stainless Steel 30"



Ovens

Code: 7168 900

Multifunction pyrolytic oven
12 cooking functions
Satin finish Stainless steel door
2 knobs and 6 touch keys



DETAILS

Oven type Multifunction Pyrolytic Oven

Door finishing Satin finish Stainless Steel

Cooking Functions 12

Control type Electronic

Temperature control Electronic

Commands 2 knobs / 6 touch keys

Language English

Cavity

Usable capacity 4.1CuFt

Cavity finish Dark gray pyrolitic enamel

Rack positions 6

Lighting Triple asymmetrical halogen (20W) lighting

Broil upper heating element 3,500 W (240 V)

Upper aux element 1,032 W (240 V)

Concealed bake lower heating element 3,000 W (240 V)

Convection element 2 x 1,300 W (240 V)

Door

Door Glasses 4 heat resistant glasses

Inner side Full glass

Hinges Heavy duty Steady Tilt

Handle Satin finish Stainless steel handle

Special features

Cleaning function Pyrolytic self clean

Probe T control Yes

Preset/last used temperature memory Yes

Preheat bar (25%, 50%, 75%, 100%) Yes

Automatic fast preheat Yes

Sabbath mode Yes

Safety Keyboard lock, Child door lock

Temperature unit °C/°F

Clock format 12/24 Hours

Delivered accessories

Chromed racks 2

Telescopic chromed rack 1

Enamelled grill set 1

Meat Probe 1

Technical Specifications

Electric supply 120/240VAC – 60Hz // 120/208VAC – 60Hz

Max Amp usage, power rating (240V,60Hz) 16.9 A – 3.84 Kw

Max Amp usage, power rating (208V,60Hz) 17.5 A – 3.54 Kw

Cable + conduit Yes

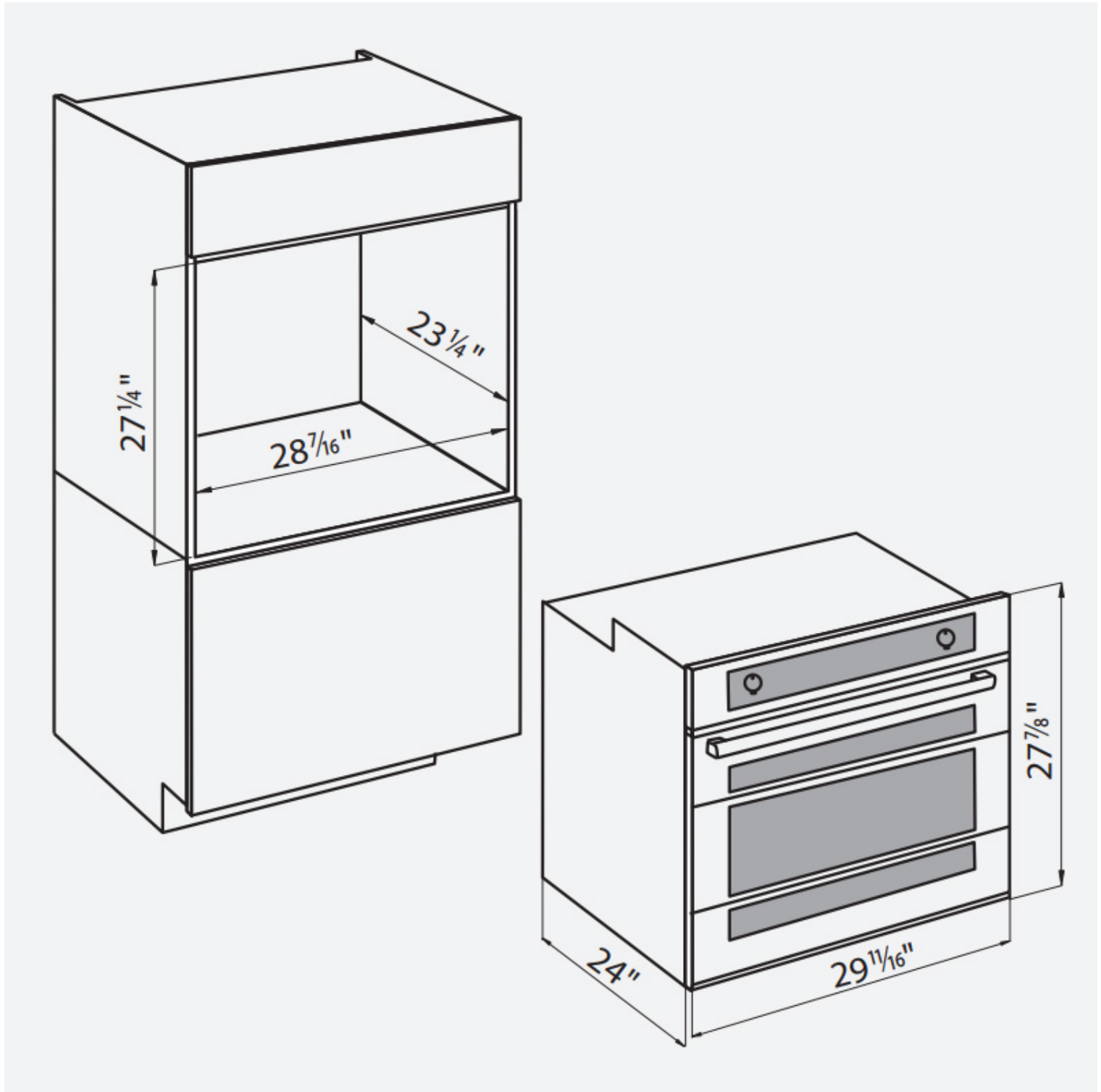
Plug No

Certification US & CA (ETL)

Warranty 24 months

Cooking Functions Pyrolitic Sel Clean with automatic door lock, Dual convection Bake, convection Broil, Convection Roast, Lower Convection (Pizza function), Bake, Broil, Delicate cooking, Defrost, Proof warm, Keep warm (warm plus), Light, Fast preheating

TECHNICAL DATA



RECOMMENDED PAIRINGS



Oven Milano SS Combi Micro

7104 920